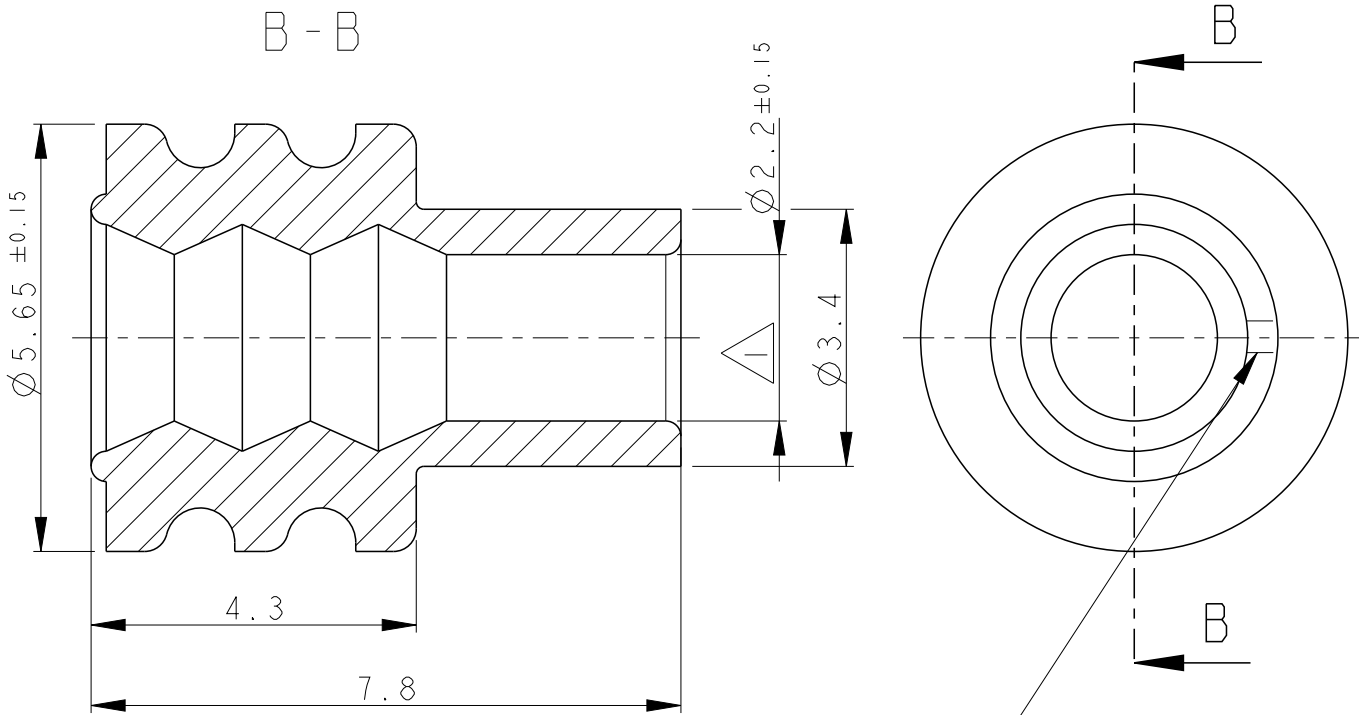
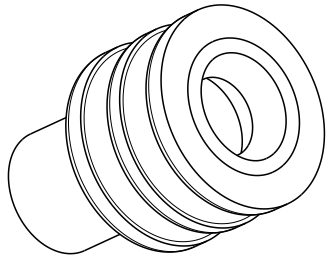


REVISIONS					
P	LTR	DESCRIPTION	DATE	DWN	APVD
	E4	REVISED (ECR-15-003702)	09MAR2015	M.G.	M.G.




OPTIONAL INTERRUPTED

 DEDICATED FOR INSULATION DIA:  
 2.7-3.0mm (FLR CABLE - WIRE SIZE 2.5mm<sup>2</sup>)  
 2.7-3.04mm (ALUMINIUM WIRE ONLY - WIRE SIZE 2.5mm<sup>2</sup>)



YELLOW	SILICONE 50° SHORE A INHERENTLY LUBRICATED	963292-1
COLOR	MATERIAL	PART Nr.

2000  
 RELEASED FOR PUBLICATION  
 ALL RIGHTS RESERVED.  
 BY -  
 COPYRIGHT 2000  
 THIS DRAWING IS UNPUBLISHED.

DIMENSIONS: mm	DWN R. Schaefer	16-Apr-96	MATERIAL	SEE TABLE	FINISH	SEE TABLE
	CHK U. Muenk	16-Apr-96	 TE Connectivity			
TOLERANCES UNLESS OTHERWISE SPECIFIED:	APVD	-				
	0 PLC ±0.2	PRODUCT SPEC	-	SIZE	CAGE CODE	DRAWING NO
1 PLC ±0.2	APPLICATION SPEC	-	A4	00779	C=963292	-
2 PLC ±	WEIGHT	0.1 gr	Customer Drawing			
3 PLC ±			SCALE	10:1	SHEET	1 OF 1
4 PLC ±					REV	E4
ANGLES ±1°						